

brand	MC CULLOCH - PARTNER - FLYMO
-------	------------------------------

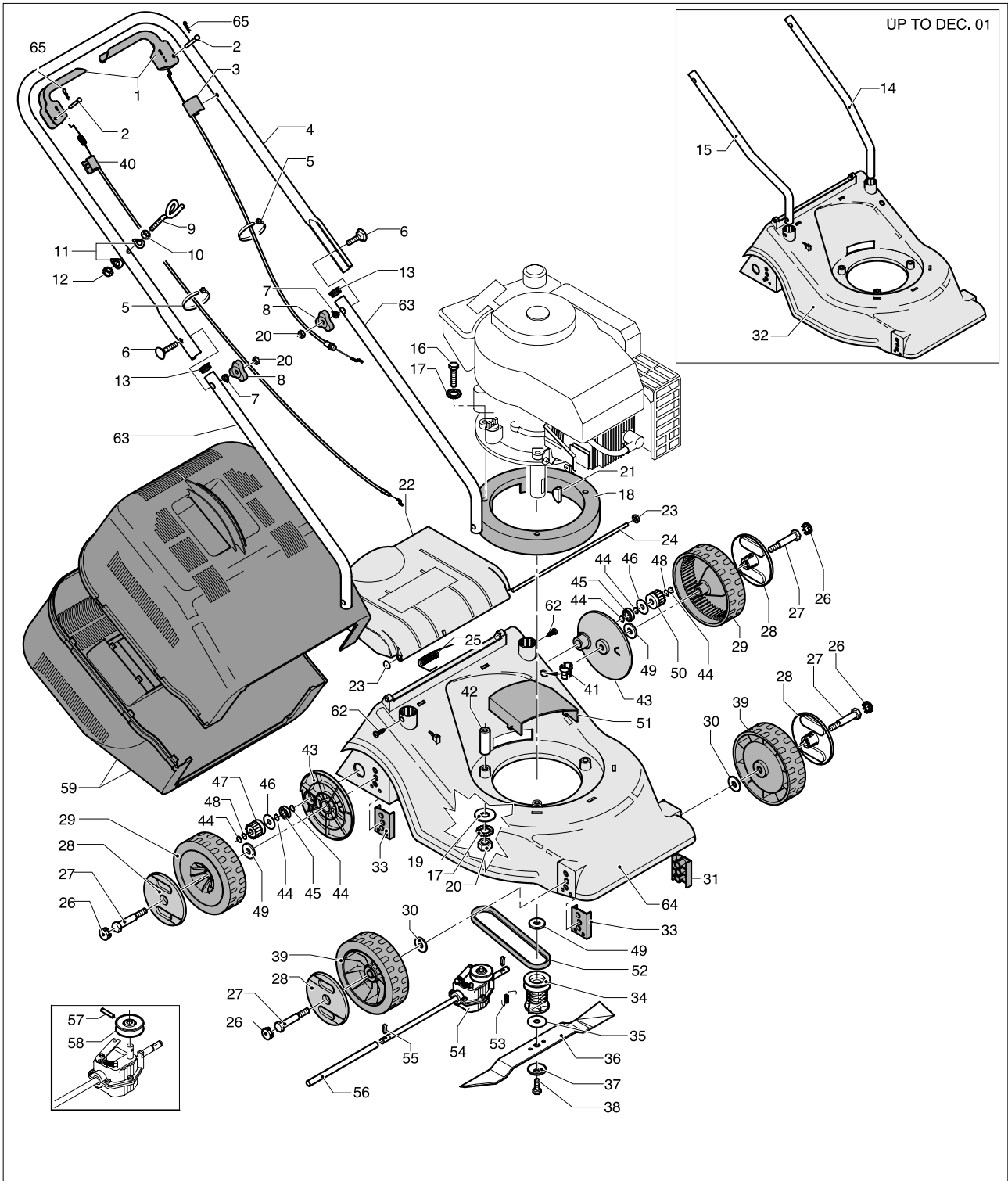
date	JAN/02	SHEET 1/2
------	--------	-----------

Model

LM3540PD
3540PD
LC400PD

Product number

9538780-03
9538781-02
9538780-04



brand	MC CULLOCH - PARTNER - FLYMO
-------	-------------------------------------

date	JAN/02	SHEET 2/2
------	--------	-----------

LM3540PD - 3540PD - LC400PD

Pos	PN ELX	PN MEP	Q.ty	Note	Pos	PN ELX	PN MEP	Q.ty	Note
1	531206027	10 1466 33	2		38	531206649	10 2809 01	1	TEØ3/8" UNFx65
2	531206032	10 1467 13	2		39	531206401	10 1650 73	2	Ø 160
3	531206429	10 1652 50	1	TECNAMOTOR mm 1290/135	40	531206428	10 1652 40	1	mm 1515
3	531206438	10 1653 30	1	B&S mm 985/144,5	41	531205557	10 1354 13	1	
4	531206069	10 1501 23	1		42	531206445	10 1654 00	3	H.52,5
5	531205581	10 1356 00	2		43	531206402	10 1650 83	2	
6	531207089	10 4024 01	2	TTSQ M8x50	44	531208772	20 6558 00	6	Ø 12E
7	531207090	10 4024 02	2	Ø 8,5	45	531208778	20 6576 00	2	Ø 12/28/8 6001-2RS
8	531204923	10 1143 03	2		46	531207847	10 8312 00	2	Ø 12/34/0,7
9	531205169	10 1214 70	1		47	531205045	10 1201 60	1	DX
10	531207165	10 5012 00	1	M6	48	531208859	20 7613 00	2	Ø 12/17/0,3
11	531204961	10 1159 00	2	Ø 6	49	531207122	10 4289 00	3	Ø 10/21/2
12	531208491	20 2818 00	1	M6 NYLON	50	531205046	10 1201 70	1	SX
13	531208950	20 8333 03	2		51	531206408	10 1651 03	1	
14	531206413	10 1651 43	1	SX	52	531206303	10 1602 20	1	Z.29-10xLi730(- 726)
15	531206412	10 1651 33	1	DX	53	531206427	10 1652 30	1	
16	531205768	10 1404 20	3	TE M8x90	54	531206414	10 1651 50	1	
17	531207981	20 1062 00	6	Ø 8E	55	531205108	10 1211 60	2	A"S" 5x5x19
18	531207369	10 6005 03	1		56	531206439	10 1653 43	1	mm.210
19	531204904	10 0663 00	3	Ø 8/24	57	531206453	10 1654 80	1	Ø 5x35
20	531207982	20 1063 00	5	M8	58	531206452	10 1654 70	1	
21	531204907	10 1009 00	1	4x6,5 DIN 6888	59	531206395	10 1650 33	2	
22	531206390	10 1650 21	1	YELLOW	62	531207937	10 8780 00	2	TCTC Ø 3,9x16
22	531210577	10 1650 2V	1	ORANGE	63	531210704	10 1656 03	2	
23	531206690	10 2928 00	2	Ø 6	64	531211104	10 1656 31	1	YELLOW
24	531206416	10 1651 70	1	Ø 6x340	64	531211135	10 1656 3V	1	ORANGE
25	531206399	10 1650 50	1		65	531207408	10 6513 00	2	
26	531206422	10 1652 01	4						
26	531210698	10 1652 0V	4						
27	531207977	20 1016 00	4						
28	531206405	10 1650 91	4	YELLOW					
28	531210697	10 1650 9V	4	ORANGE					
29	531206400	10 1650 63	2	Ø 160					
30	531207989	20 1130 00	2	Ø 10/30/2,5					
31	531206415	10 1651 63	2	SX					
32	531206383	10 1650 11	1	YELLOW					
32	501210576	10 1650 1V	1	ORANGE					
33	531206419	10 1651 93	2	DX					
34	531207276	10 5483 00	1						
35	531207243	10 5317 00	1						
36	531206216	10 1580 13	1	cm.40					
37	531207237	10 5309 00	1						